

Werkgroep
Vleermuizen

natuurpunt 

**Artificial Hibernating roost for
Geoffroy's bat
(Myotis emarginatus)**

Dirk Swaenen.



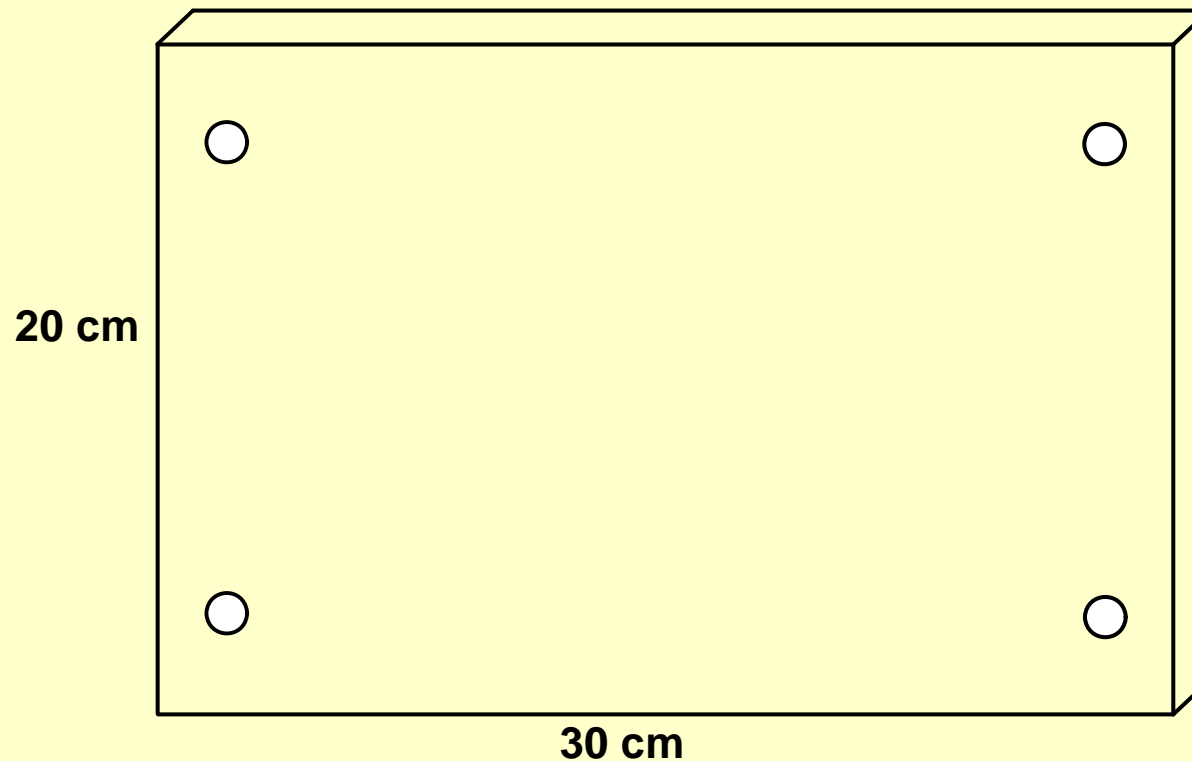
**So , we decided to make some
artificial roosts for this
species !**

How did we proceed ?

Material: Use waterproof wood
(2,4 cm thick)



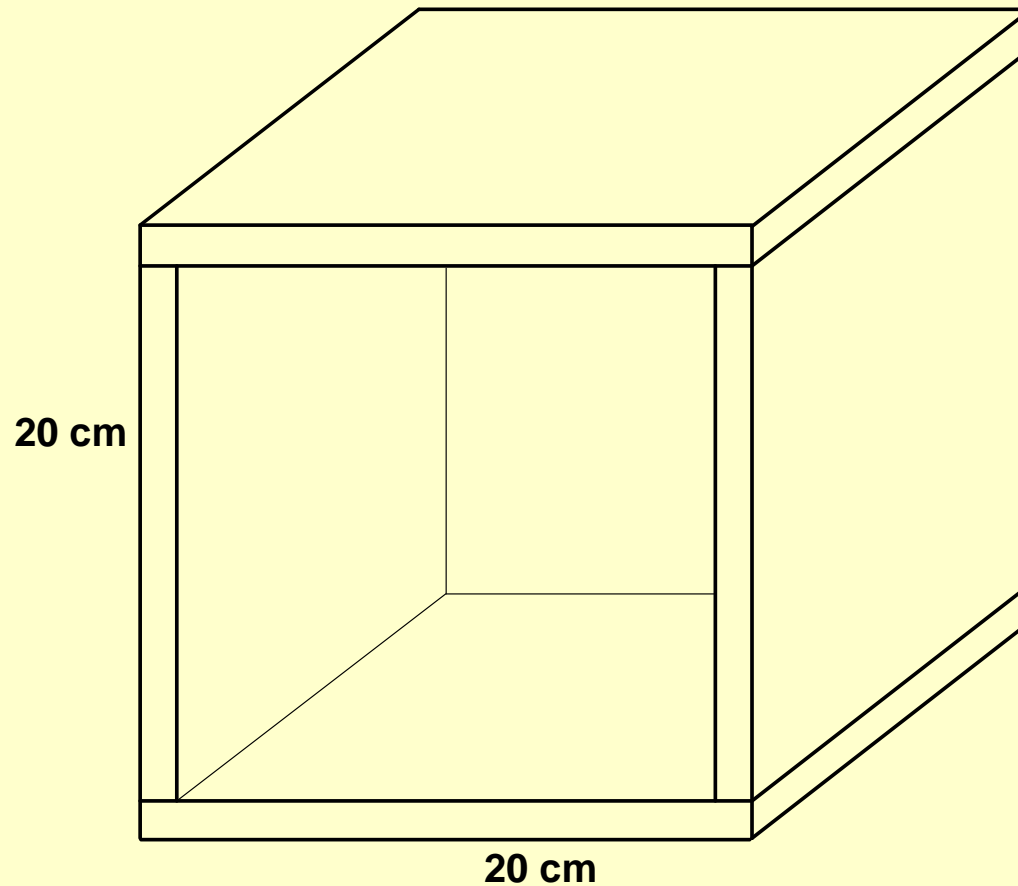
- 1. Take a board of 20 x 30 cm and drill holes in the corners to fit the box later on to the ceiling.



Material



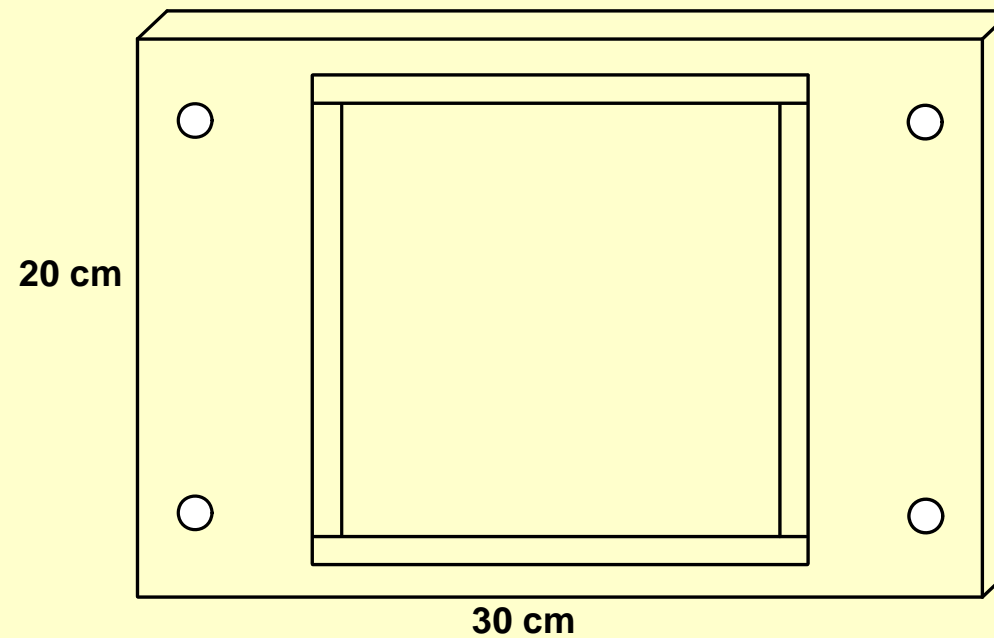
- 2. Create a box of 20x20cm using 4 planks and fix them with screws (better then nails).



Material



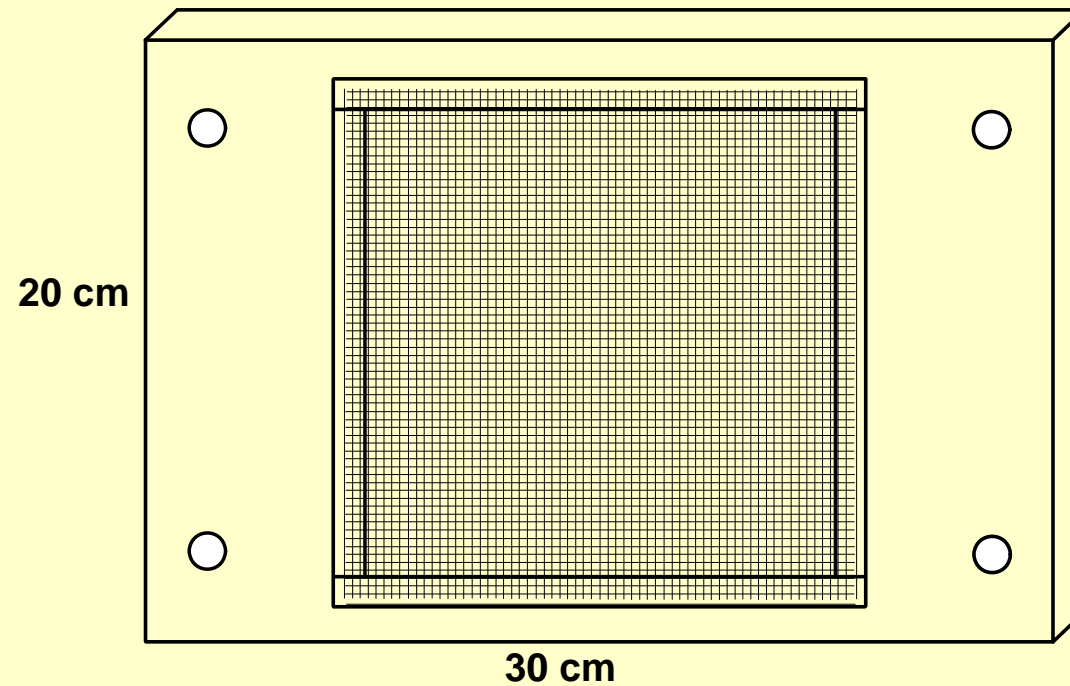
- 3. Fix 4 thin wooden laths to the first plank also creating a square that fits in the box above.



Material

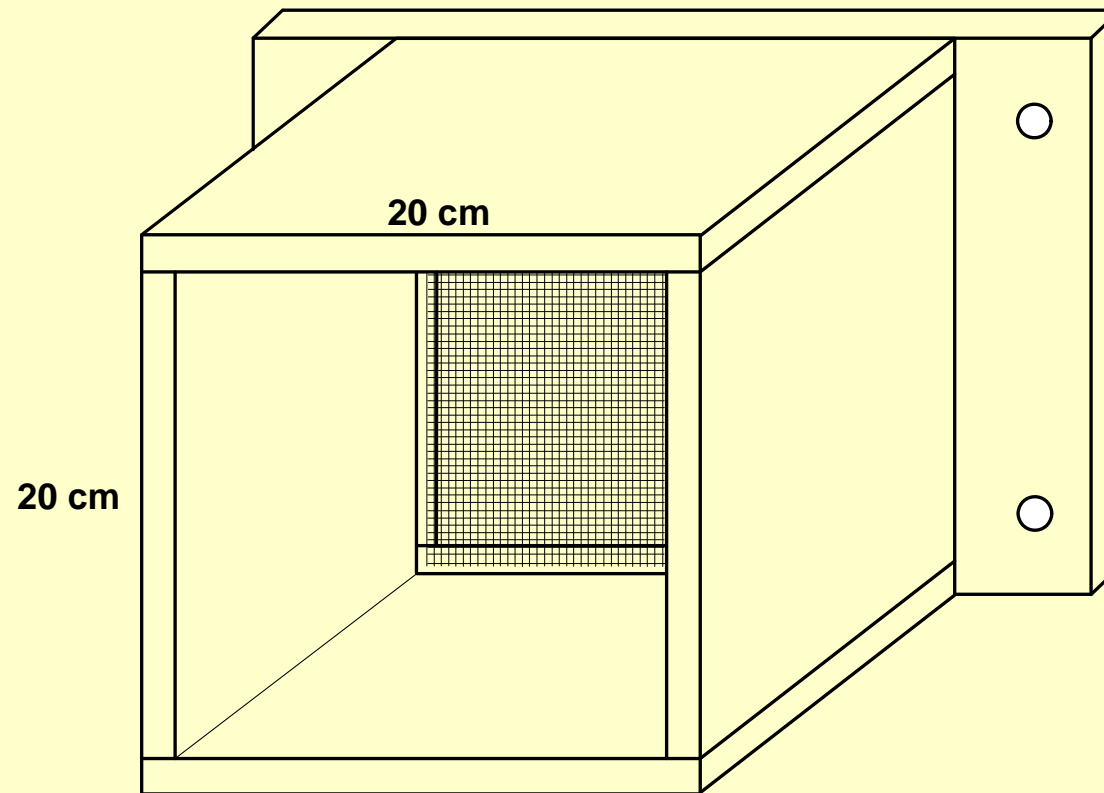


- 4. Attach a galvanised wire mesh to this square with some nails.



Material

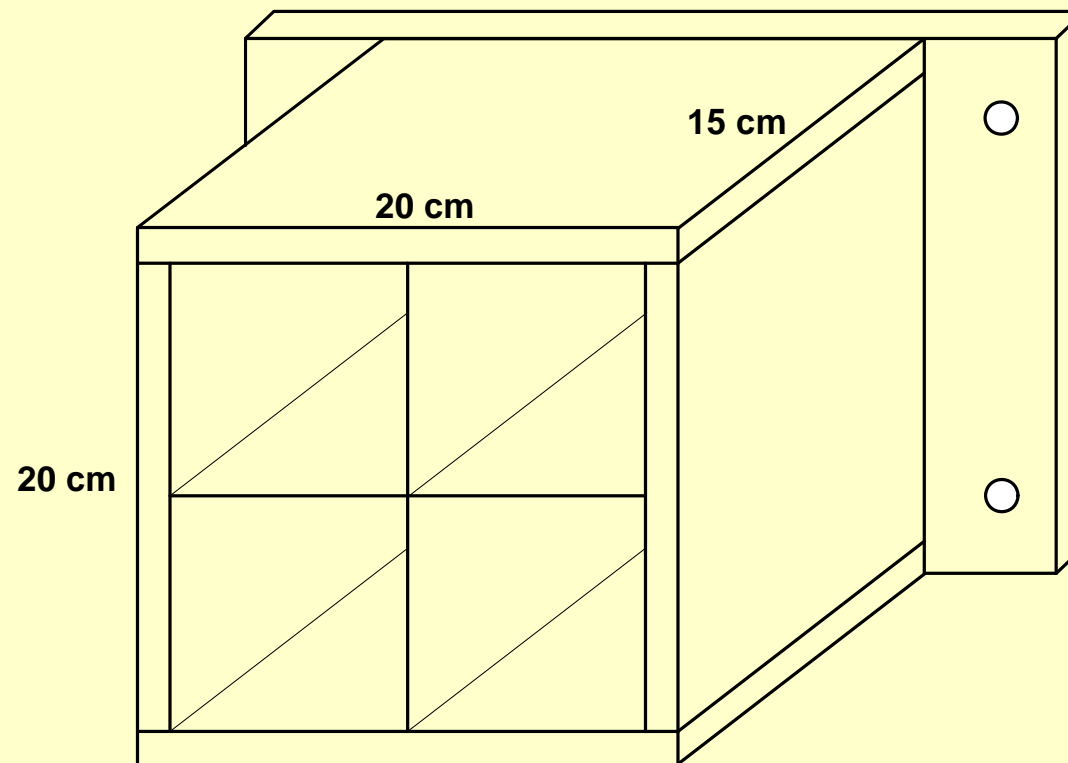
- 5. Attach the box to the plank.



Material



- 6. Make a division in the box using a cross of two thin planks and fit this in the box



How does it look likes ?



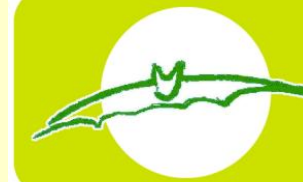
Werkgroep
Vleermuizen
natuurpunt



From under



Did it works ?



Werkgroep
Vleermuizen
natuurpunt



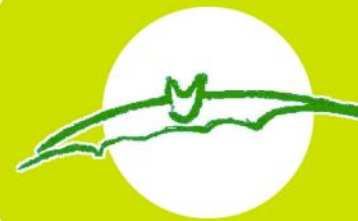
A house for every Geoffrey's bat



Conclusions



- 4 boxes have been placed around the fortress
- The first year after their placement they were not used.
- The second year 2 *Myotis emarginatus* tested 1 of the boxes
- Now 4 years later, all the boxes are in use by *Myotis emarginatus* and *Myotis nattereri*.
- The population of hibernating Geoffrey's bats increased in the fortress from 4 (2000) till 22 (2009).



Werkgroep
Vleermuizen

natuurpunt 

Thanks for your attention !